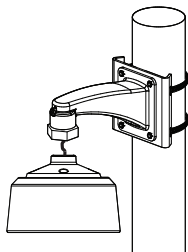


DA-LM1100 INSTALLATION MANUAL



This manual is intended for users of the DA-LM1100 pole mounting bracket. It includes instructions for mounting the DA-LM1100 pole mounting bracket to a pole.

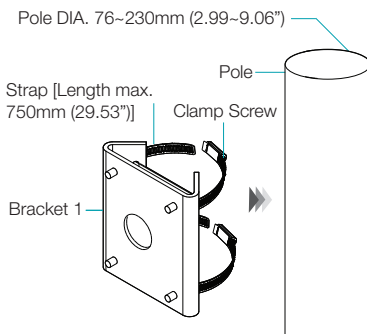


- **This bracket is intended to be used with DC-S series model of cameras. Do not use it with other models of cameras.**
- **This installation should be performed by a qualified service personnel in conformance to all local codes.**
- **You may need to reinforce the pole. If the pole is not strong enough to support the camera, the camera may fall.**
- **Do not use this product for other purposes.**

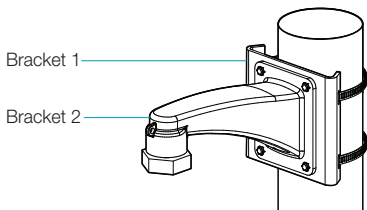
Mounting

Mount the bracket to the pole as follows:

- 1 Mount the bracket 1 to the pole. Fasten the bracket 1 to the pole by adjusting the strap length. You can adjust the strap length by tightening or loosening the clamp screw.



- 2 Mount the bracket 2 to the bracket 1.



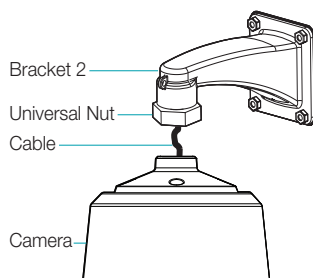
Connect your camera to the bracket as follows:

- 3 Insert cables from external devices, network and power adapter into the bracket 2.
- 4 Connect the camera to the bracket 2 by turning the universal nut.



Do not turn the camera but turn the universal nut when connecting the camera to the bracket 2, otherwise, the cable will be twisted.

- 5 Turn on power.



Dimensions

Unit: mm (inch)

