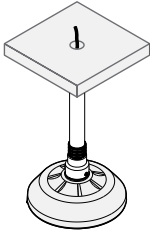


DA-MA2100 INSTALLATION MANUAL



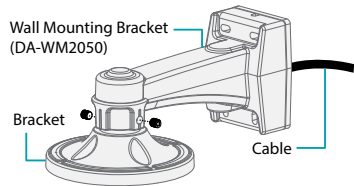
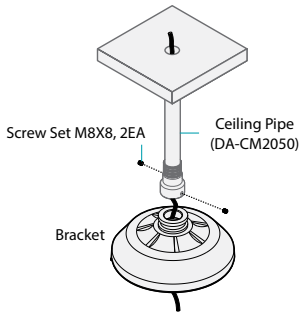
This manual is intended for users of the DA-MA2100 mounting bracket. It includes instructions for mounting DA-MA2100 to DA-CM2050 or DA-WM2050.



- **This bracket is intended to be used with a specific model of camera. Do not use it with other models of cameras except for those approved by the dealer or distributor.**
- **This installation should be performed by a qualified service personnel in conformance to all local codes.**
- **You may need to reinforce the ceiling. If the ceiling is not strong enough to support the camera, the camera may fall.**
- **Do not use this product for other purposes.**

Mounting

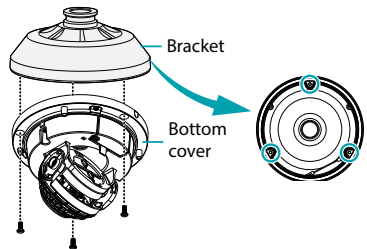
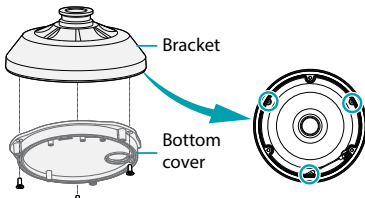
Mount the bracket to the ceiling pipe (DA-CM2050) or wall mounting bracket (DA-WM2050) as follows:



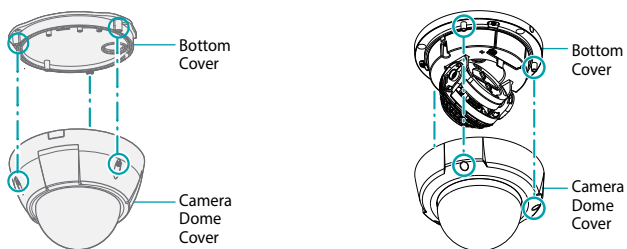
- 1 Insert cables from external devices, network and power adapter into bracket.
- 2 Assemble bracket into the ceiling pipe (DA-CM2050) or wall mounting bracket (DA-WM2050) and fix it by using the screws. The ceiling pipe and wall mounting bracket are sold separately.

Connect your camera to the bracket as follows:

- 3 Screw the bottom cover onto bracket.



- 4 Screw the camera dome cover onto the bottom cover.



- 5 Turn on power.

Dimensions

Unit: mm (inch)

