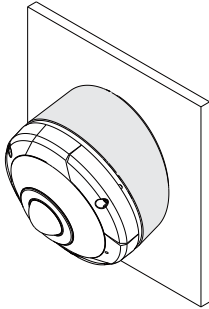


# DA-TM4200 INSTALLATION MANUAL



This manual is intended for users of the DA-TM4200 wall mounting bracket. It includes instructions for mounting the DA-TM4200 wall mounting bracket to a wall.

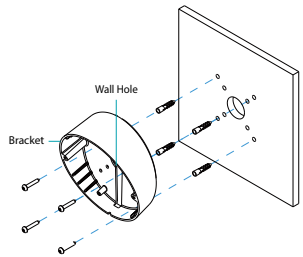


- **This bracket is intended to be used with a specific model of camera. Do not use it with other models of cameras except for those approved by the dealer or distributor.**
- **This installation should be performed by a qualified service personnel in conformance to all local codes.**
- **You may need to reinforce the wall. If the wall is not strong enough to support the camera, the camera may fall.**
- **Do not use this product for other purposes.**

## Mounting

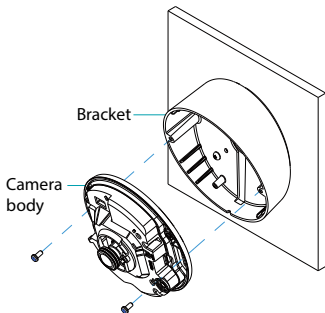
Mount the bracket to the wall as follows:

- 1 Insert cables from external devices, network and power adapter to the bracket.
- 2 Mount bracket to the wall by using the provided anchors and screws.

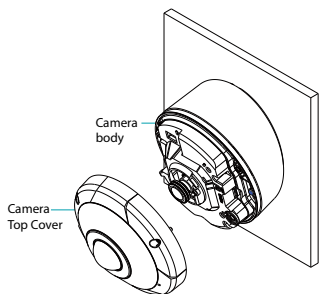


Connect your camera to the bracket as follows:

- 3 Screw the camera body onto the bracket.



- 4 Secure the top cover to the body by turning it clockwise.



- 5 Turn on power.

## Dimension

Unit: mm (inch)

